



Faculty of Design

2014

## Now and then: Co-designing systems smart enough for the future

Hollingshead, Matthew and Vink, Josina

---

### Suggested citation:

Hollingshead, Matthew and Vink, Josina (2014) Now and then: Co-designing systems smart enough for the future. In: Proceedings of RSD3, Third Symposium of Relating Systems Thinking to Design, 15-17 Oct 2014, Oslo, Norway. Available at <http://openresearch.ocadu.ca/id/eprint/2066/>

*Open Research is a publicly accessible, curated repository for the preservation and dissemination of scholarly and creative output of the OCAD University community. Material in Open Research is open access and made available via the consent of the author and/or rights holder on a non-exclusive basis.*

*The OCAD University Library is committed to accessibility as outlined in the [Ontario Human Rights Code](#) and the [Accessibility for Ontarians with Disabilities Act \(AODA\)](#) and is working to improve accessibility of the Open Research Repository collection. If you require an accessible version of a repository item contact us at [repository@ocadu.ca](mailto:repository@ocadu.ca).*

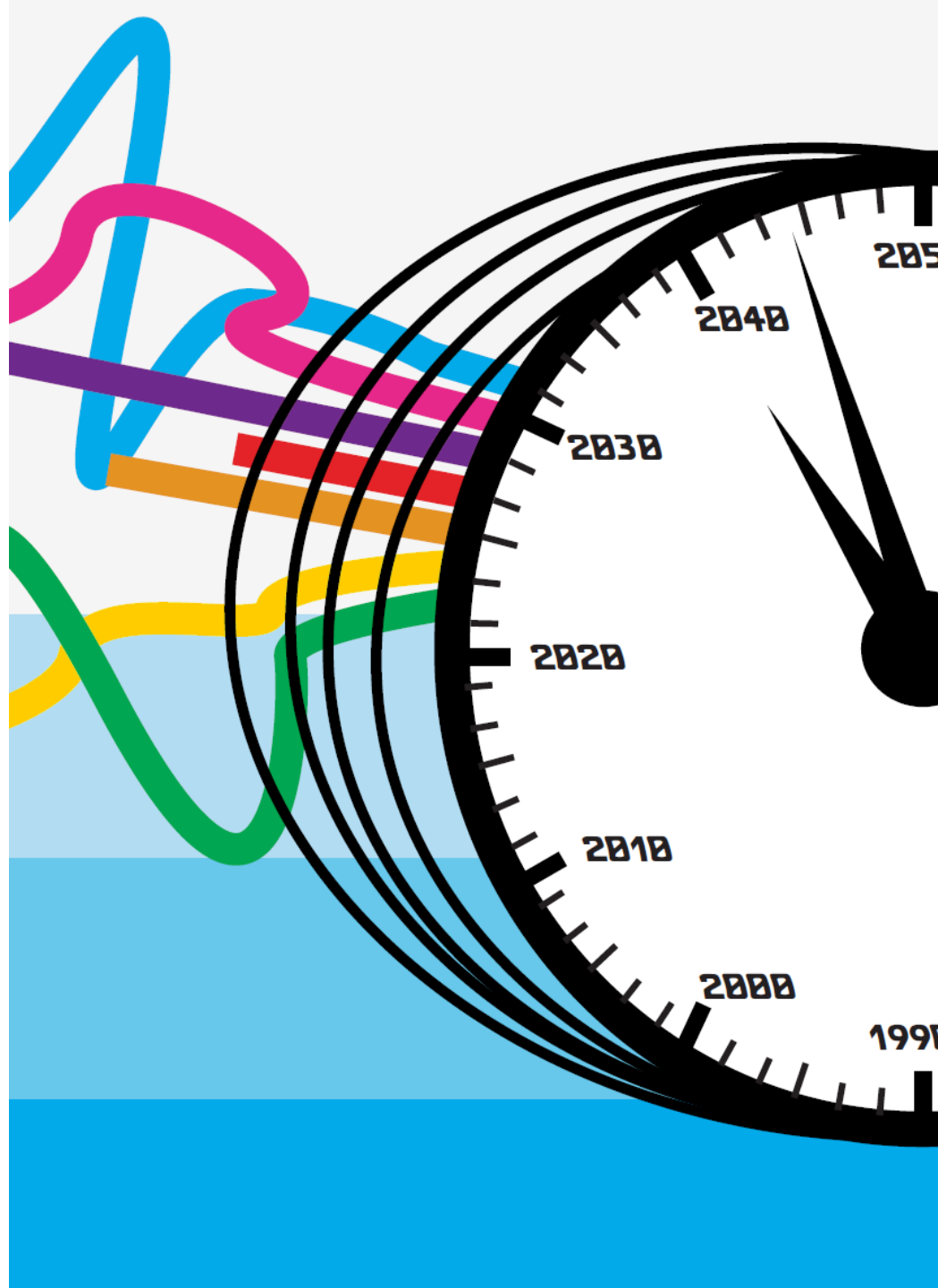
# NOW AND THEN

## CO-DESIGNING SYSTEMS SMART ENOUGH FOR THE FUTURE

---

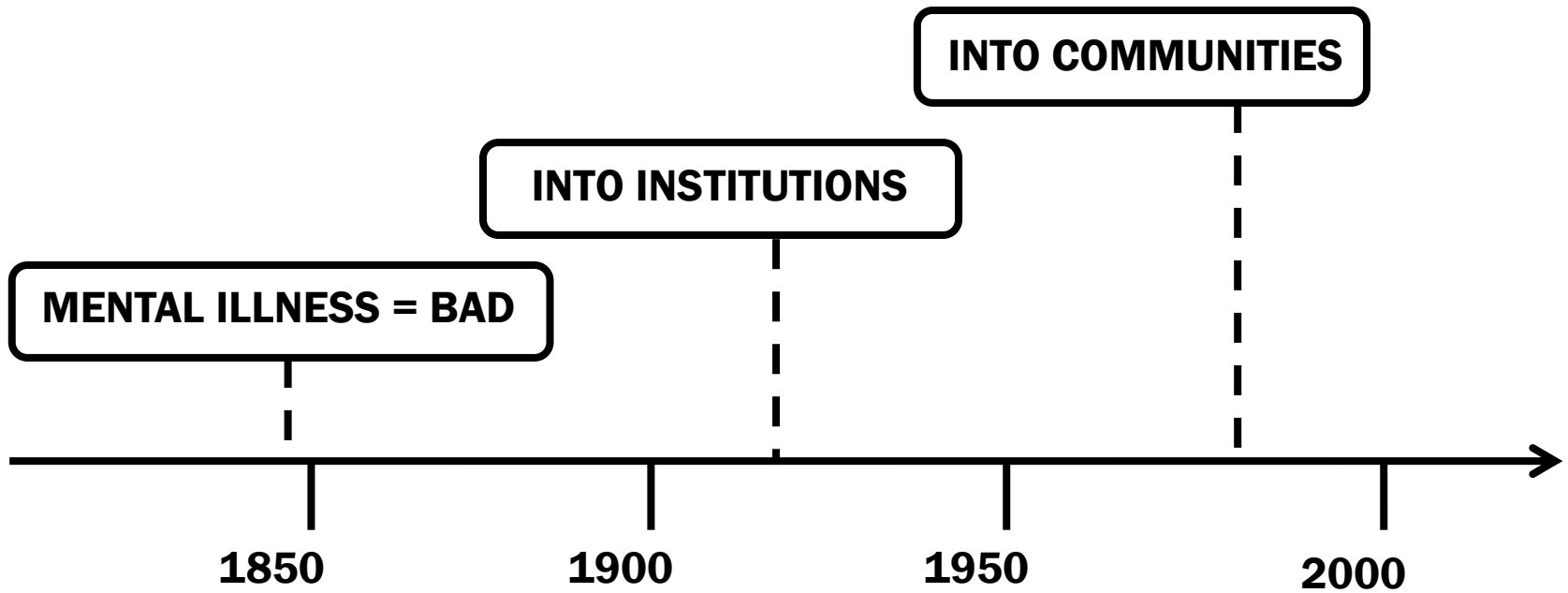
Matt Hollingshead & Josina Vink,  
Centre for Addiction & Mental Health  
(CAMH)

**RSD3 SYMPOSIUM**

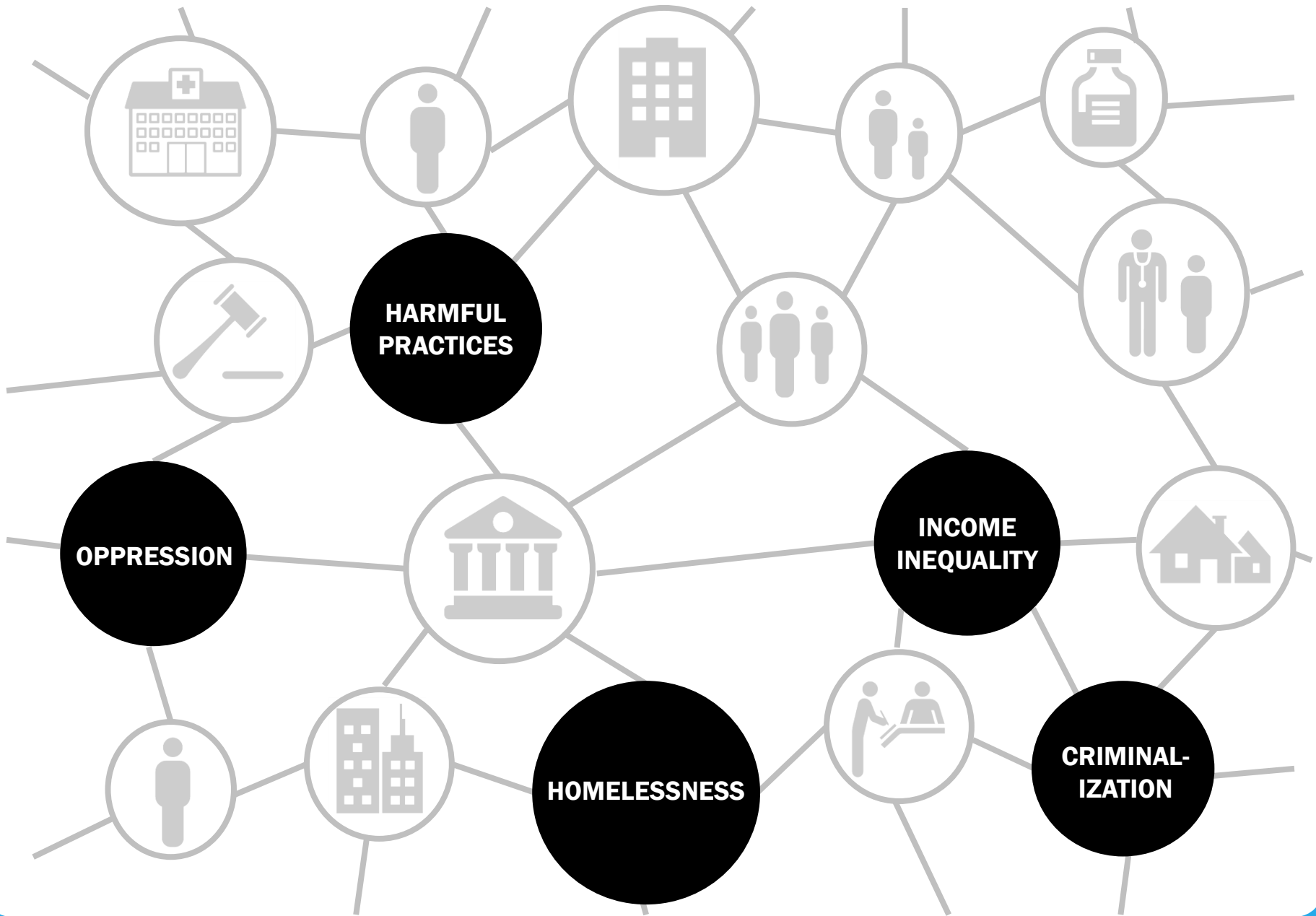


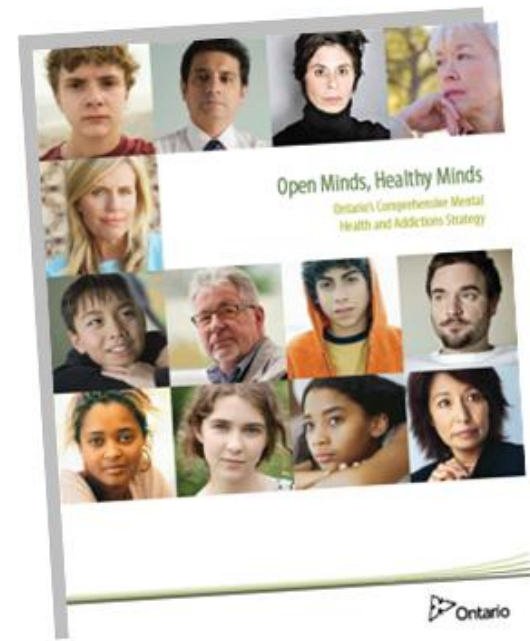


**OUR LEGACY  
SYSTEMS NEED TO  
BE RE-DESIGNED.**



images from camh.ca

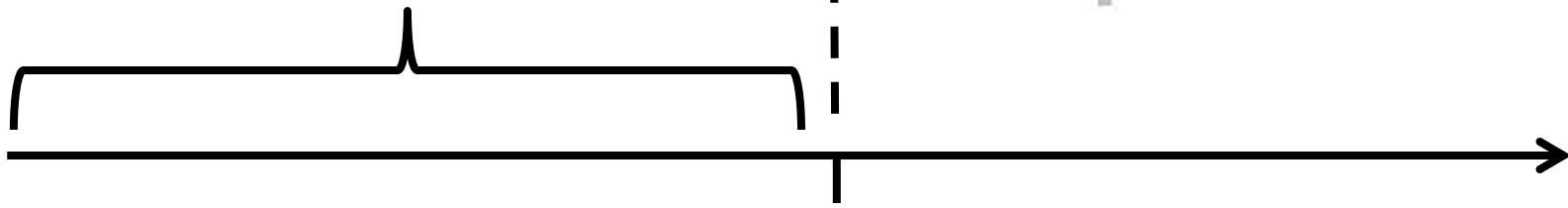




**10 YEAR  
STRATEGY**

**25 YEARS OF  
GOVERNMENT  
REPORTS**

**2011**



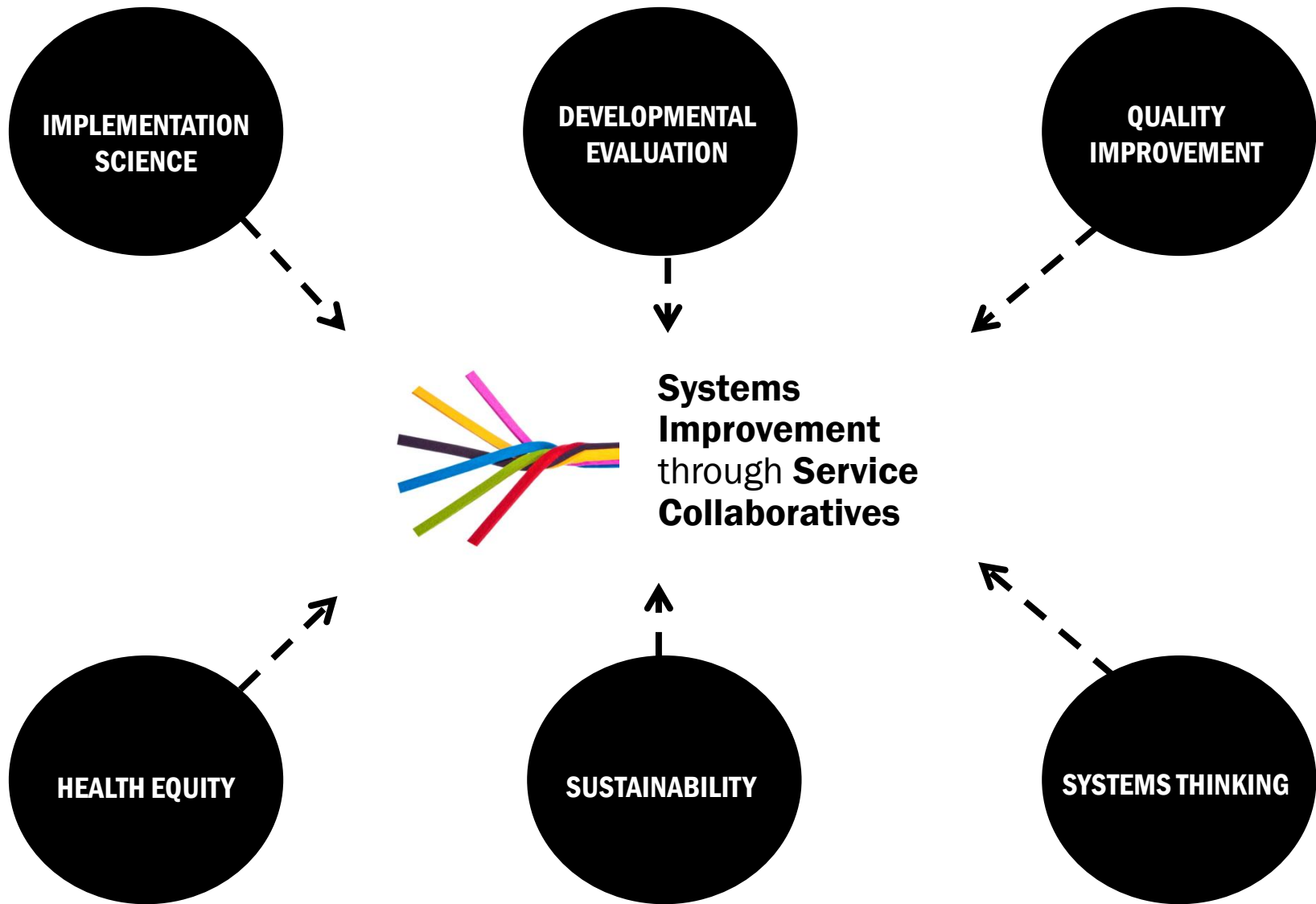




**Systems  
Improvement  
through **Service  
Collaboratives****

- ✓ 6 Ministries
- ✓ 18 Service Collaboratives
- ✓ Multi-sectoral
- ✓ Community led







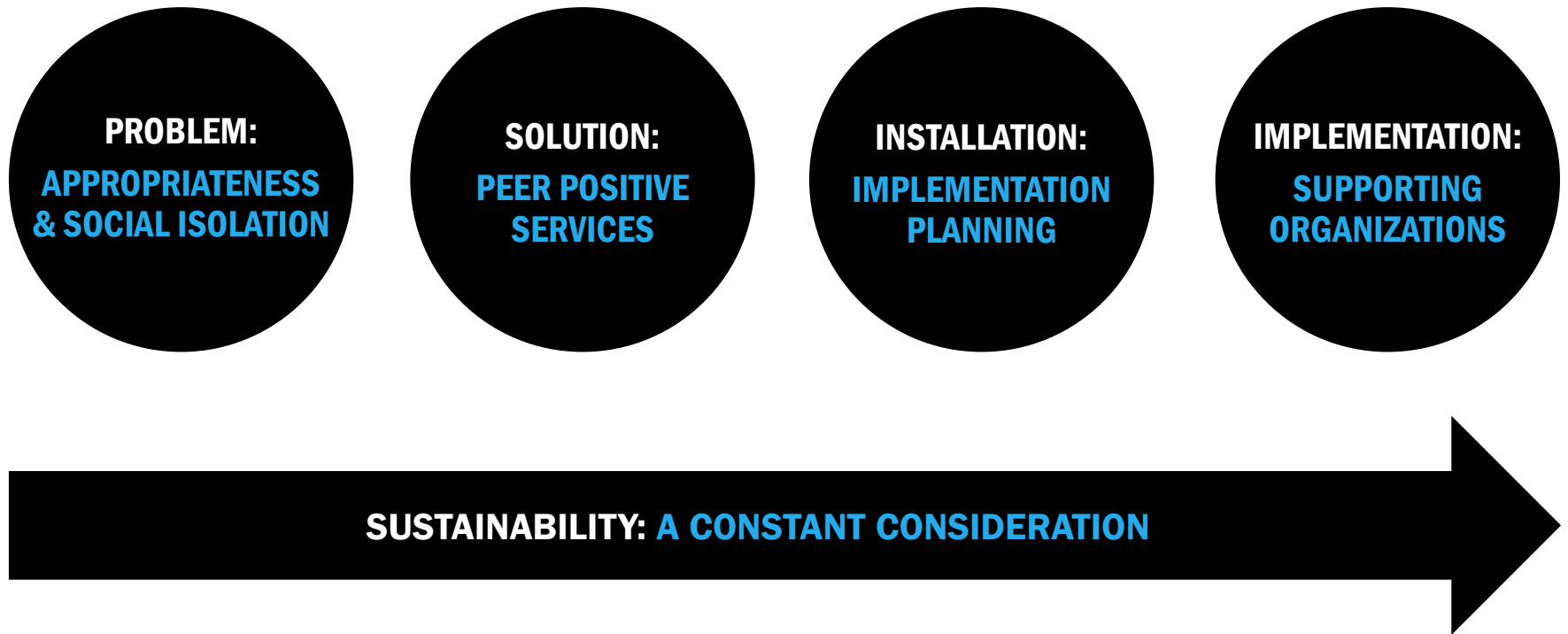
# NORTHWEST TORONTO



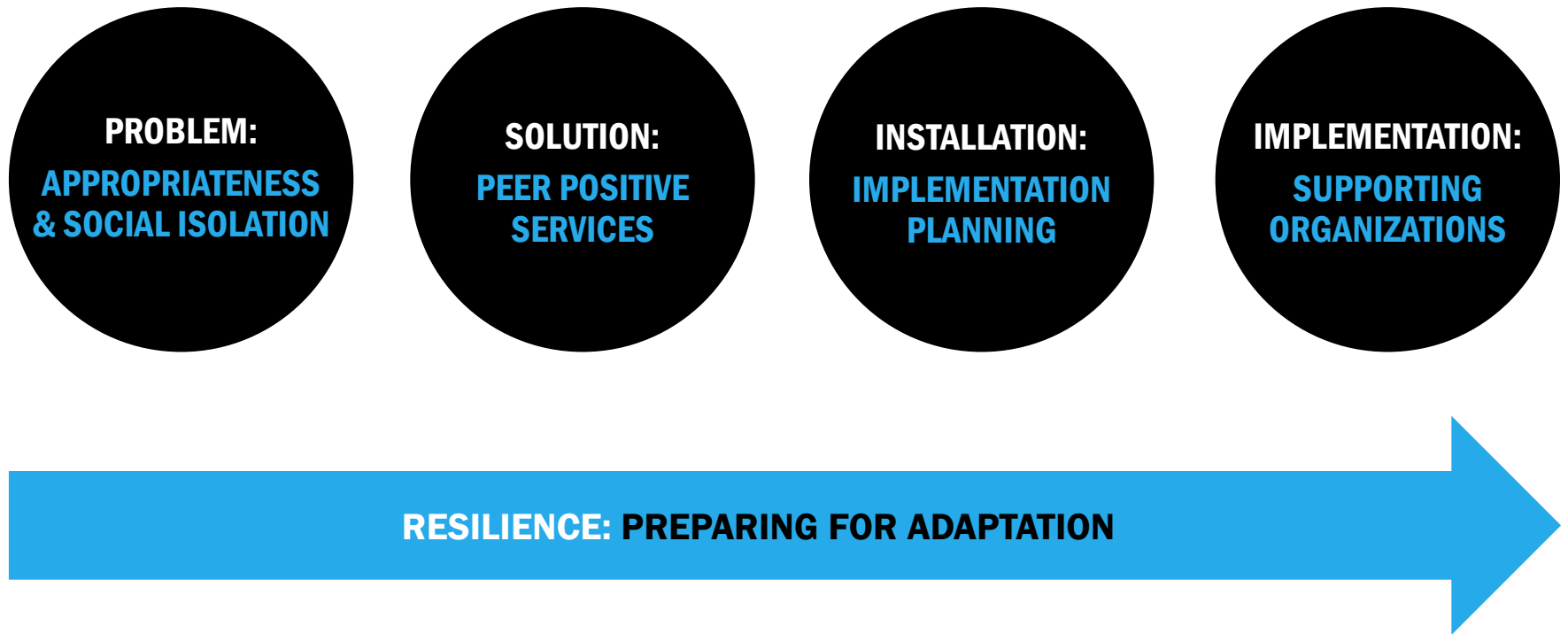
image from <https://www.flickr.com/photos/dflack/3339799651/>

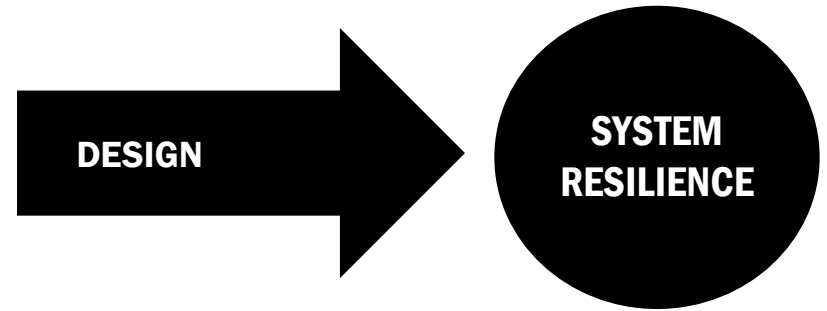
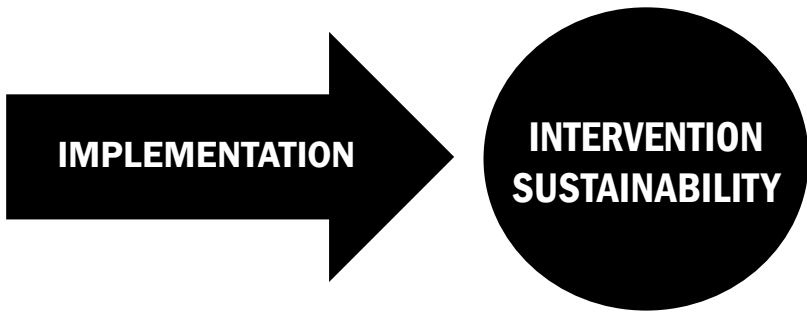


# THE SERVICE COLLABORATIVE PROCESS



# THE SERVICE COLLABORATIVE PROCESS





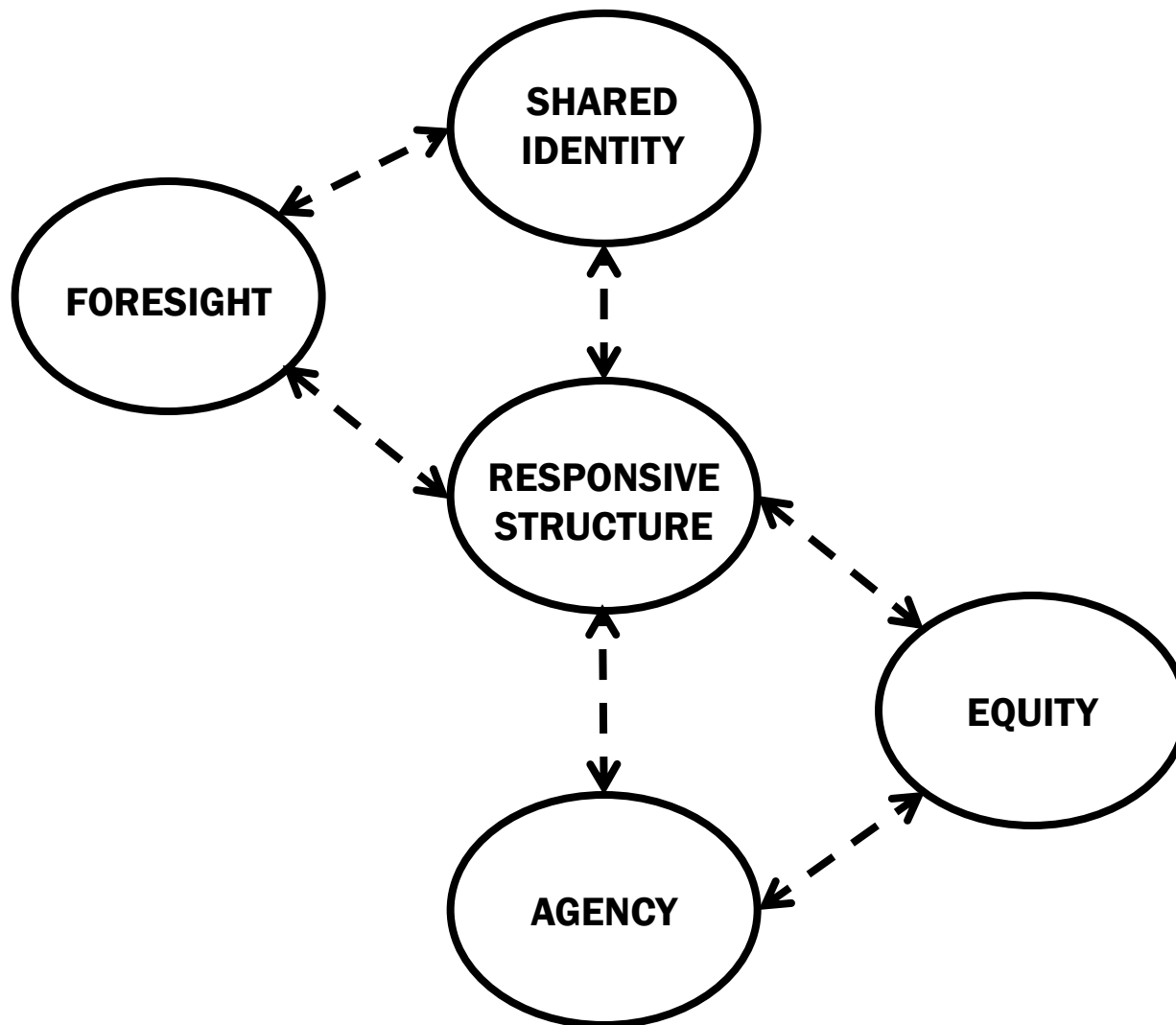
**EVALUATION**

**COACHING**

**TRAINING**

**KNOWLEDGE EXCHANGE**



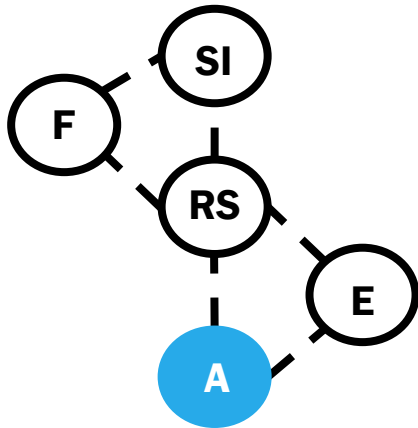


Adapted from Hodgson's Viable Systems Model



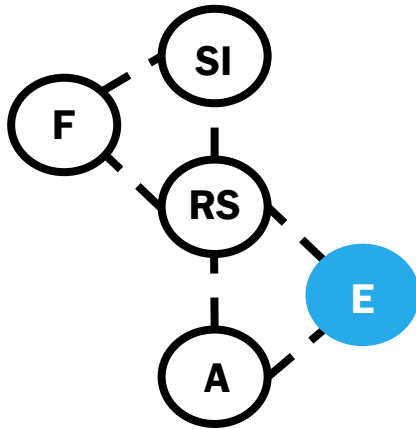
# AGENCY

CAPACITY WITHIN THE  
COMMUNITY TO  
MAKE CHANGE



# EQUITY

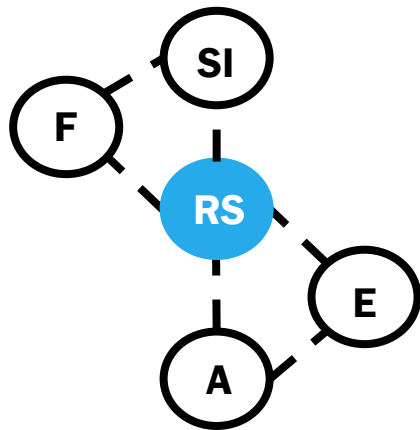
RECOGNIZE POWER  
AND PRIVILEGE AND  
FIND COMMON  
GROUND AMID  
DIVERSITY





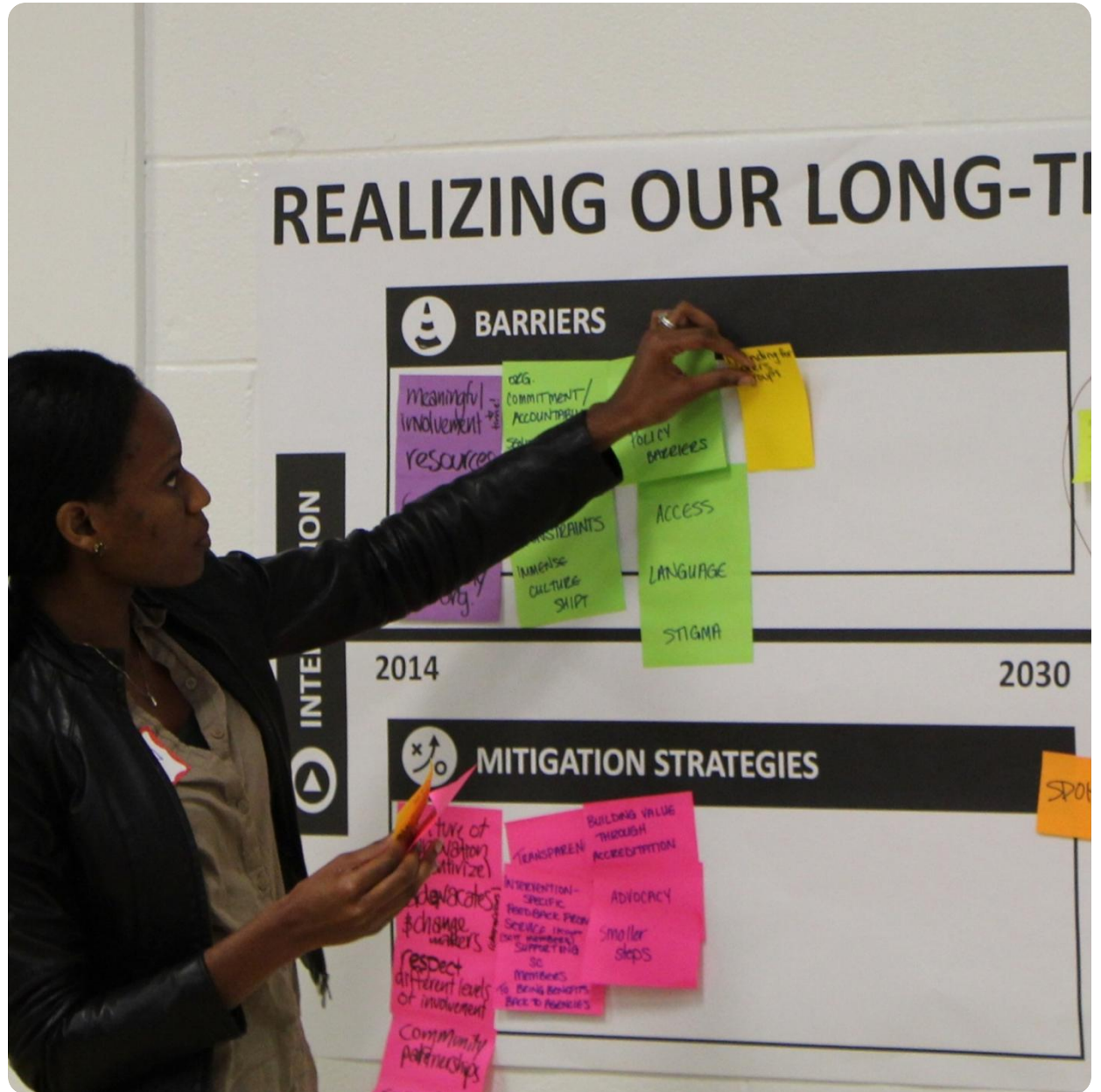
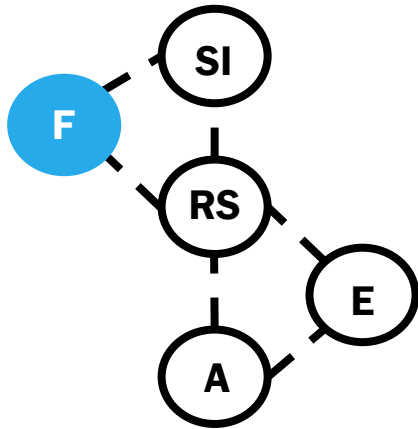
# RESPONSIVE STRUCTURE

STRUCTURES AND NORMS THAT SUPPORT MEANINGFUL ENGAGEMENT



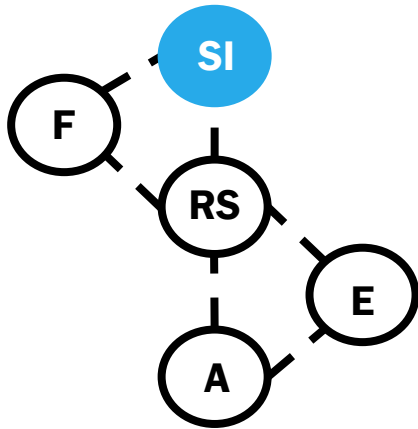
# FORESIGHT

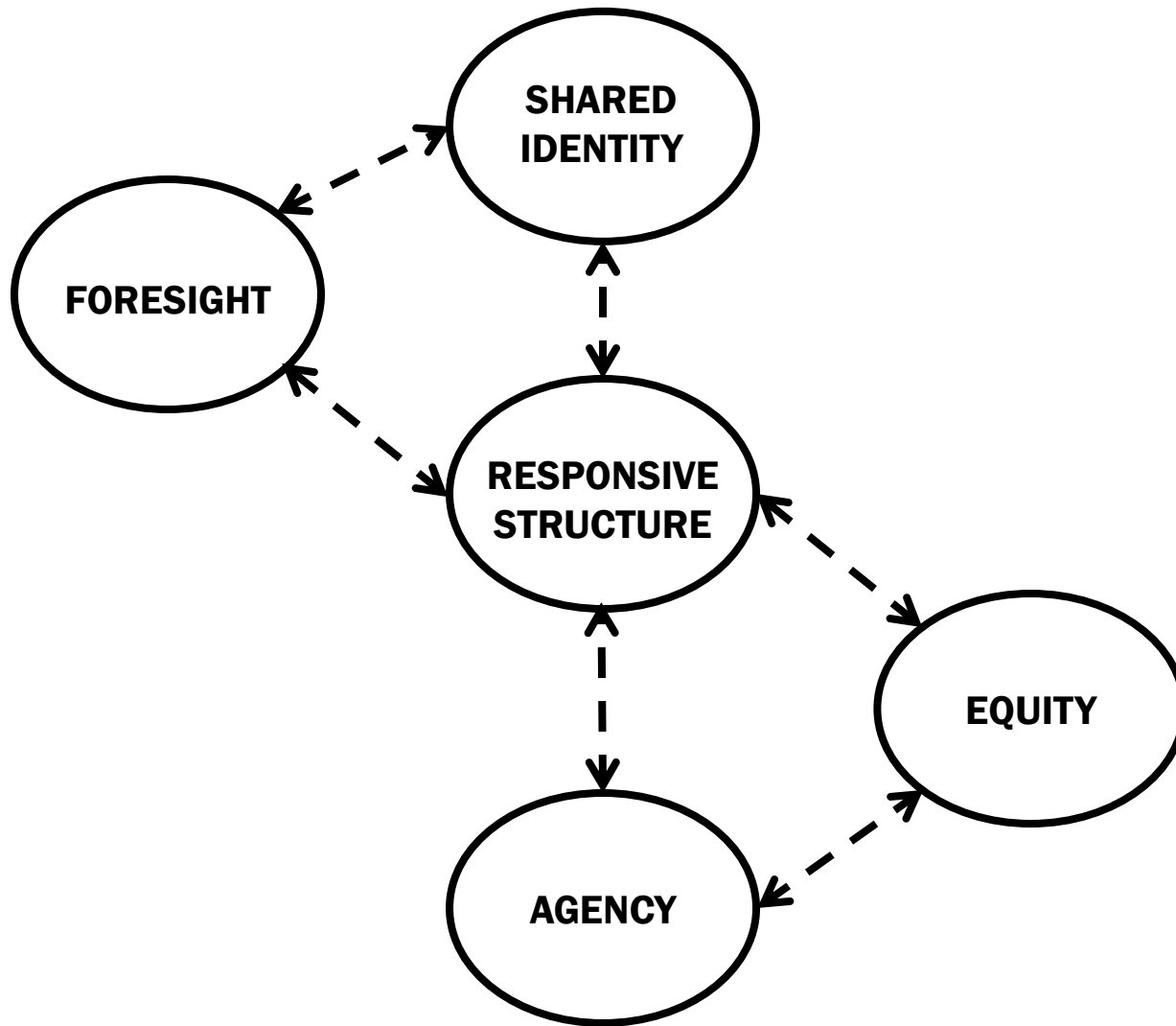
ANTICIPATING FUTURE DEVELOPMENTS AND PREPARING APPROPRIATE RESPONSES



# SHARED IDENTITY

UNDERSTANDING  
CONNECTION TO THE  
SYSTEM AND  
COMMON VALUES







# QUESTIONS

For more info check out:  
**[ServiceCollaboratives.ca](https://www.servicecollaboratives.ca)**



**Matt Hollingshead**

matthew.hollingshead@camh.ca  
@hollingsface



**Josina Vink**

josina.vink@camh.ca  
@josinavink